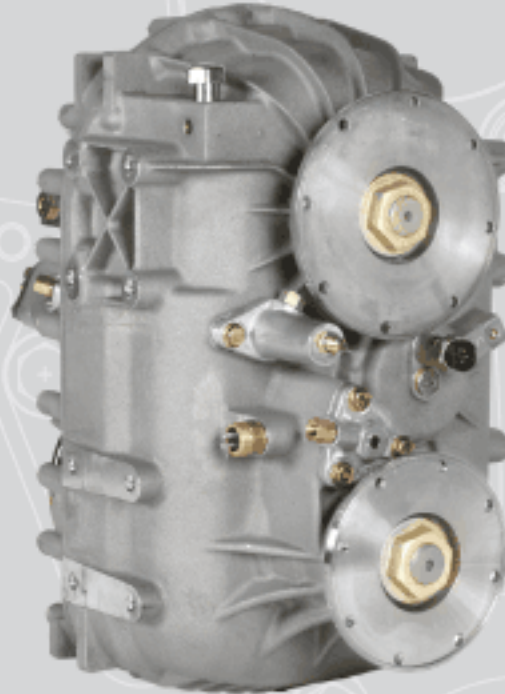


MVG-750

Transfer Case

Heavy-duty 3-shaft transfer case for on-off highway trucks, agricultural machinery, mining equipment, industrial vehicles, and military applications.

Marmon-Herrington



Two-Speed: Hi 1:1, Low 2.00:1

Dry Weight: 254# (275# with Differential)

Input Torque Rating: 7,400 ft. lbs.*

Housing: Aluminum

FEATURES: Helical Gears with constant mesh to minimize operating noise

Integral Air Shift Controls for front axle engage, high-neutral-low range and P.T.O. engage. No linkages to adjust

Integral Switches with weatherproof connectors for warning lights when front axle, low range and P.T.O. are engaged

Companion Flanges at input and outputs allow for a variety of drive shaft series, and make for easy installation and removal of shafts

10.63" Short "Drop" (Distance between Input Center and Output Centers) makes for superior drive line angles

Compact design provides excellent ground clearance

Electronic Speedo Sensor

Each shaft is mounted on roller bearings for long service life

OPTIONS: Power Take-Off with Integral Gear Lube Pump

Planetary Proportioning Differential with 30% Front / 70% Rear Split

Advanced Drive Train Management

Lube Pump

Power Take-Off / 1,475 ft. lb.

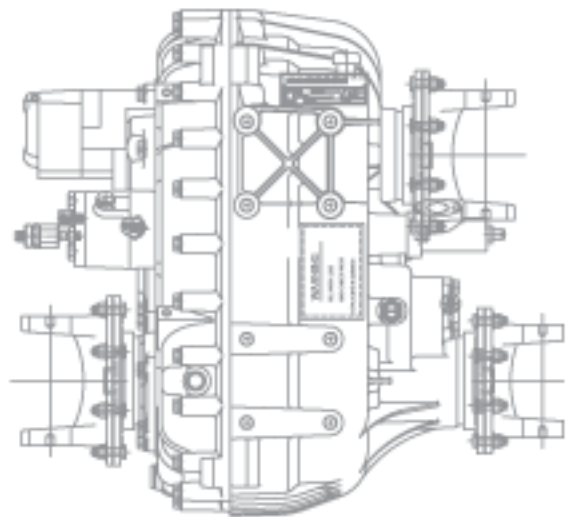
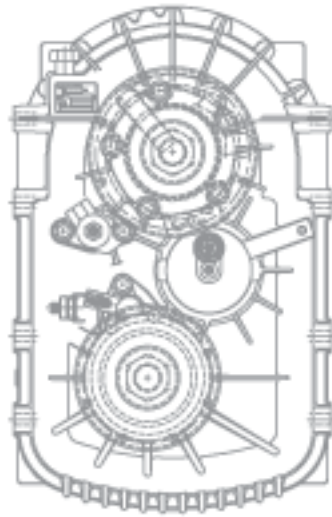
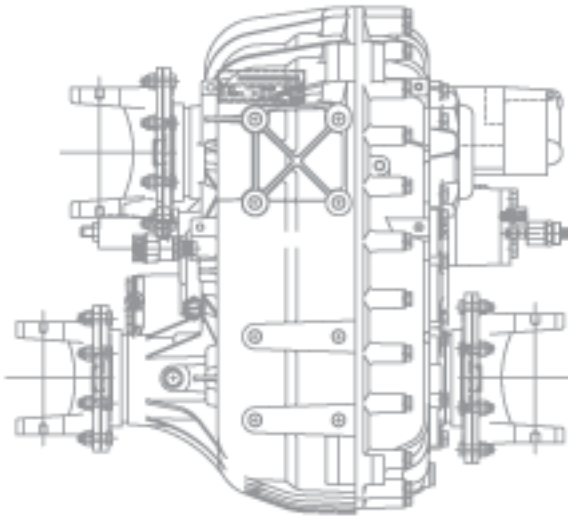
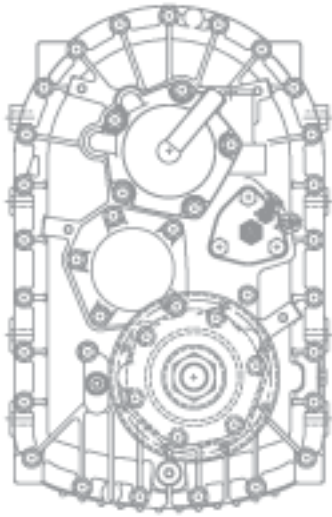
* Greater ratings may apply to certain applications — consult Marmon-Herrington Engineering.

Driving power since 1931.

MVG-750

Transfer Case

Marmon-Herrington



** For dimensional information, please contact Marmon-Herrington.*

Marmon-Herrington:

**A legacy of
engineering
excellence that
lives on today.**

For over 75 years, Marmon-Herrington has been pioneering driving solutions that keep fleets moving and provide long-term value. Among our inventions: the Marmon Wasp, the first car ever to win the Indianapolis 500; double-cardan steering joints and low-profile differentials. Today, we're known for our full line of dependable axle systems

with premium components, product flexibility and best-in-class support.

Whether you're an OEM ready to outfit a fleet or a fleet manager looking for a kitting solution, Marmon-Herrington has the right system to get the job done and keep you moving. To learn more, call us at (800) 227-0727.

